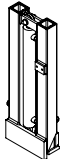
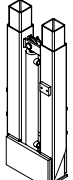
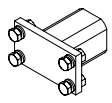
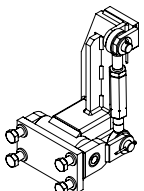
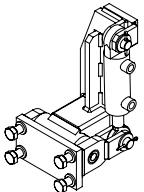
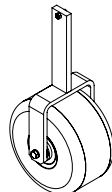
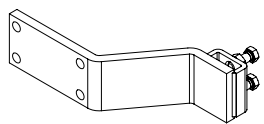


## One-sided suspensions, side-mounted

Suspension devices designed to connect working tools Ostraticky with tractor or other carrier. Including hydraulic hoses and quick couplings, hoses length up to 150 cm.

suspension with straight-line lifting		order no.	
	01E - straight-line lifting, without tilting <i>(suspension post 50/60, lift 40 cm)</i>	ZAV01E4	
	01S - straight-line lifting, without tilting <i>(suspension post 70/80, lift 40 cm)</i>	ZAV01S4	
	mounting bracket 050 <i>(length 5 cm)</i>	KRCEK050	
	mounting bracket 100 <i>(length 10 cm)</i>	KRCEK100	
	tilting head 02M <i>(mechanical tilting +16°/-16°)</i>	NAKL020M	
	tilting head 02H <i>(hydraulic tilting +16°/-16°)</i>	NAKL020H	

supplements and accessories		order no.	
	supporting wheel, metallic, d250 <i>(tine 50x16)</i>	CS125.921000	
	wheel holder, E180 <i>(for tine 50x16)</i>	CS125.951000	