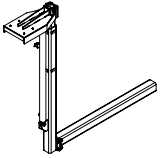
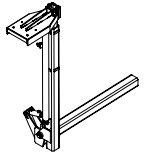
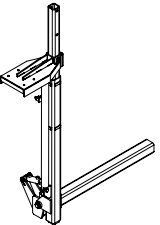
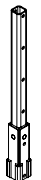


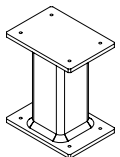
Hydraulic post driver

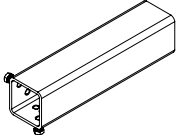
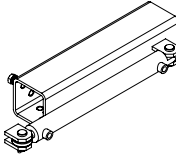
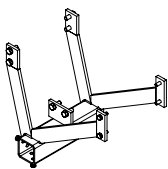
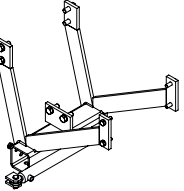
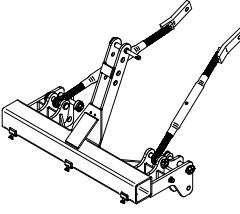
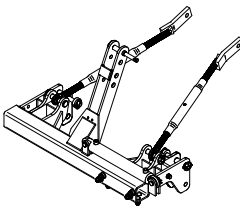

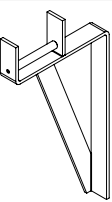
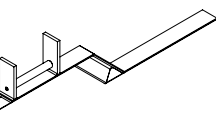
For easy installation of posts, props and supporting constructions of trellis systems in vineyards and orchards, while building the fences and enclosures. Side suspension, hoses length up to 150 cm.

post driver - fixed		order no.	
	post driver, fixed - for posts max. 280 cm - without tilting	ZATLPEVBN	

post driver - standard		order no.	
	post driver, standard - for posts max. 280 cm - dual range tilting $-10^{\circ}/+10^{\circ}$ and $-15^{\circ}/-35^{\circ}$	mechanical tilting	ZATLSTDMN
		hydraulic tilting	ZATLSTDHN

post driver - extended		order no.	
	post driver, extended - for posts max. 330 cm - dual range tilting $-10^{\circ}/+10^{\circ}$ and $-15^{\circ}/-35^{\circ}$	mechanical tilting	ZATLPROMN
		hydraulic tilting	ZATLPROHN
	extension pole	50 cm	CS471.012300
		100 cm	CS471.012200
		150 cm	CS471.012100
		200 cm	CS471.012020

supplements and accessories		order no.	
	lowering pole (l=300)	ZATLSNP030	

	tube for suspension to the tractor, interaxle 02	RAMBOCNI02TR	
	tube for suspension to the tractor, interaxle H2 <i>(incl. hydraulic cylinder, side shift 40 cm)</i>	RAMBOCNIH2TR	
	frame for suspension to the tractor, interaxle 02	RAMBOCNI0200	
	frame for suspension to the tractor, interaxle H2 <i>(incl. hydraulic cylinder, side shift 40 cm)</i>	RAMBOCNIH200	
	frame for 3-point linkage, rear M60Z <i>(for rear 3-point linkage cat. 1/2 by ISO 730-1, mechanical side shift 60 cm, incl. stabilizers)</i>	TBZ12M060ZATZ	
	frame for 3-point linkage, front M60P <i>(for front 3-point linkage cat. 1/2 by ISO 730-1, mechanical side shift 60 cm, incl. stabilizers)</i>	TBZ12M060ZATP	
	frame for 3-point linkage, rear H40Z <i>(for rear 3-point linkage cat. 1/2 by ISO 730-1, hydraulic side shift 40 cm, incl. stabilizers)</i>	TBZ12H040ZATZ	
	frame for 3-point linkage, front H40P <i>(for front 3-point linkage cat. 1/2 by ISO 730-1, hydraulic side shift 40 cm, incl. stabilizers)</i>	TBZ12H040ZATP	
	injection lance standard	ZATLHYDRSTD	
	injection lance extended <i>(extension for 20 cm)</i>	ZATLHYDRPRO	
	front support for injection lance 01 <i>(for vineyard tractors)</i>	ZATLHYDRDR1	
	front support for injection lance 02 <i>(for field tractors)</i>	ZATLHYDRDR2	