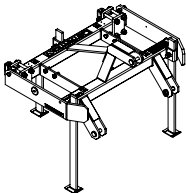
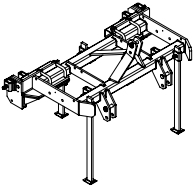
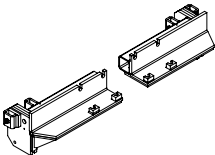
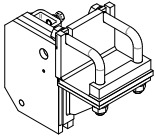
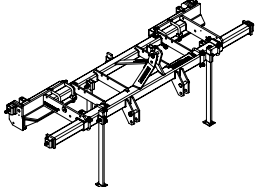
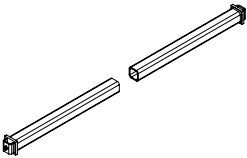
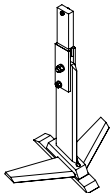
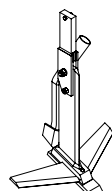
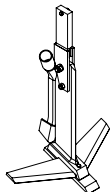
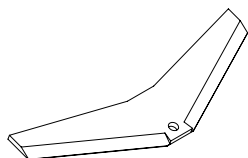
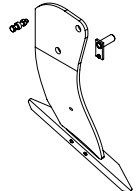
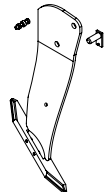
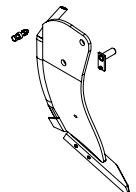
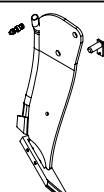


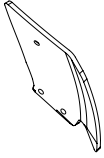
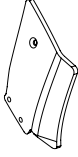
Heavy duty cultivators with possibility of deep fertilizing

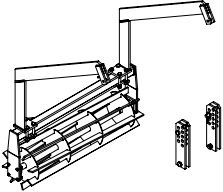
The multipurpose cultivators for weed control, soil cultivation, grass turf cut down and deep cultivation with possibility of additional fertilizing by pellet or liquid fertilizers.

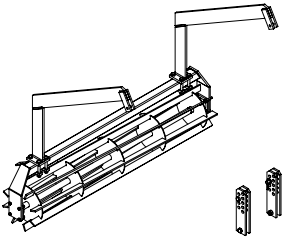
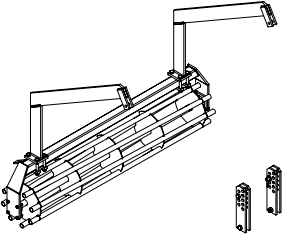
HKO frames	order no.	
	<p>frame HKO-100Mini</p> <ul style="list-style-type: none"> - wide of basic frame 110 cm - working width of cultivator 50 - 140 cm (3 tines) - wide adjusting of rear tines 75 - 100 cm (2 tines) - suspension pins cat. 1 by ISO 730-1 - only for compact tractors to 45 hp with a weight to 1800 kg 	<p>HKO100M</p>
	<p>frame HKO-180Vario (140 - 230 cm / 100 - 180 cm)</p> <ul style="list-style-type: none"> - wide of basic frame 144 cm, incl. supports of subsoiling tines - working width of cultivator 140 - 230 cm (3 - 5 tines) - wide adjusting of subsoiling tines 100 - 180 cm (2 tines) - suspension pins cat. 2 by ISO 730-1 	<p>HKO180V</p>
	<p>extended supports of subs. tines, reach up to 210 cm (set 2 pcs, just for HKO 180 Vario, instead of standard)</p>	<p>HKO180SUP210</p>
	<p>additional subsoiling tine holder (only in connection with left subsoiling tine CS113.005001)</p>	<p>CS113.101400</p>
	<p>frame HKO-270Vario (230 - 410 cm / 100 - 270 cm)</p> <ul style="list-style-type: none"> - wide of basic frame 207 cm - including supports of subsoiling tines and front beams - working width of cultivator 230 - 410 cm (5 - 9 tines) - wide adjusting of subsoiling tines 100 - 270 cm (2 tines) - suspension pins cat. 2 by ISO 730-1 	<p>HKO270V</p>
	<p>deduction of the front beams (set 2 pcs, just for HKO-270Vario)</p>	<p>HKO270BPV</p>

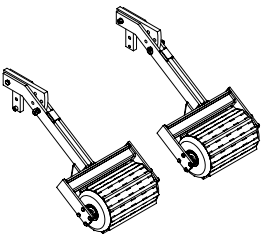
cultivation times		order no.	
	cultivation tine, complete <i>(up to 45 cm)</i> <i>(working width 50 cm, working depth up to 45 cm)</i>	CS113.004100	
	cultivation tine, complete, for fertilizing, right <i>(working width 50 cm, working depth up to 45 cm)</i>	CS113.004200	
	cultivation tine, complete, for fertilizing, left <i>(working width 50 cm, working depth up to 45 cm)</i>	CS113.004300	
	deduction of wing shaped share <i>(working width 50 cm)</i>	CS113.004000	

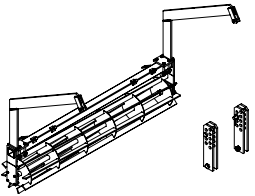
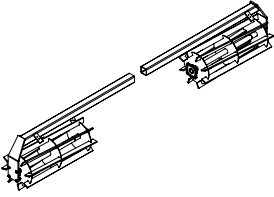
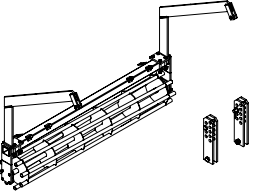
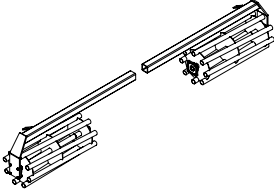
subsoiling tines		order no.	
	subsoiling tine, right <i>(working depth up to 70 cm)</i>	CS113.005101	
	subsoiling tine, left <i>(working depth up to 70 cm)</i>	CS113.005001	
	deep subsoiling tine, for fertilizing, right <i>(working depth up to 70 cm)</i>	CS113.005300	
	deep subsoiling tine, for fertilizing, left <i>(working depth up to 70 cm)</i>	CS113.005200	

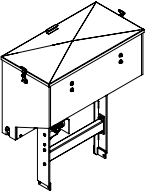
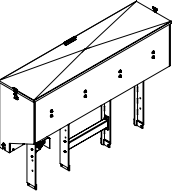
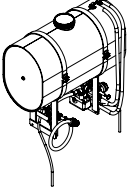
	<p>counter tine for deep cultivation tine, right</p>	<p>CS113.005100</p>	
	<p>counter tine for deep cultivation tine, left</p>	<p>CS113.005000</p>	

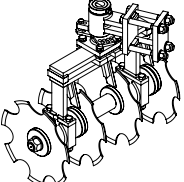
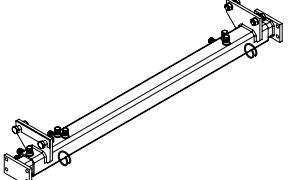
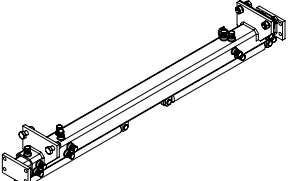
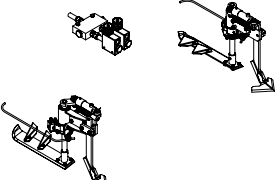
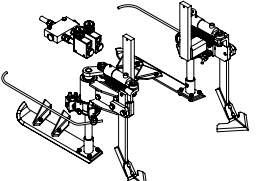
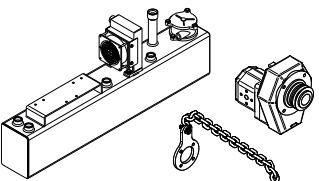
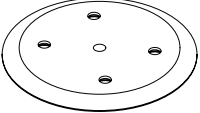
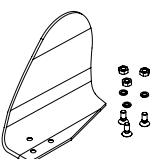
supporting roller for HKO-100Mini		order no.	
	<p>crushing roller 120 cm, (d300 mm, w120/126 cm)</p>	<p>CS115.107002</p>	

supporting rollers for HKO-180Vario		order no.	
	<p>crushing roller 140 cm, (d340 mm, w138/149 cm)</p>	<p>CS113.407000</p>	
	<p>crushing roller 160 cm, (d340 mm, w160/170 cm)</p>	<p>CS113.307000</p>	
	<p>crushing roller 180 cm, (d340 mm, w180/190 cm)</p>	<p>CS113.207000</p>	
	<p>crushing roller 200 cm, (d340 mm, w200/210 cm)</p>	<p>CS113.107000</p>	
	<p>crushing roller 220 cm, (d340 mm, w220/230 cm)</p>	<p>CS113.007000</p>	
	<p>crushing roller 240 cm, (d340 mm, w240/250 cm)</p>	<p>CS113.201600</p>	
	<p>pushing roller 140 cm, (d340 mm, w138/149 cm)</p>	<p>CS113.407100</p>	
	<p>pushing roller 160 cm, (d340 mm, w160/170 cm)</p>	<p>CS113.307100</p>	
	<p>pushing roller 180 cm, (d340 mm, w180/190 cm)</p>	<p>CS113.207100</p>	
	<p>pushing roller 200 cm, (d340 mm, w200/210 cm)</p>	<p>CS113.107100</p>	
	<p>pushing roller 220 cm, (d340 mm, w220/230 cm)</p>	<p>CS113.007100</p>	
	<p>pushing roller 240 cm, (d340 mm, w240/250 cm)</p>	<p>CS113.507100</p>	

pushing rollers		order no.	
	<p>pushing rollers <i>(set 2 pcs, for HKO-180Vario and HKO270Vario)</i></p>	<p>CS840.010000</p>	

supporting rollers for HKO-270Vario		order no.	
	crushing roller - middle part, (d340 mm, w204/210 cm)	CS113.270100	
	crushing roller - extension 2x45 cm, (d340 mm, w290/298 cm)	CS113.270120	
	crushing roller - extension 2x90 cm, (d340 mm, w380/388 cm)	CS113.270130	
	pushing roller - middle part, (d340 mm, w204/210 cm)	CS113.270000	
	pushing roller - extension 2x45 cm, (d340 mm, w290/298 cm)	CS113.270020	
	pushing roller - extension 2x90 cm, (d340 mm, w380/388 cm)	CS113.270030	

fertilizing for HKO		order no.	
	fertilizing equipment for pellets fertilizer HKO250G - container 290 l, w. 100 cm, incl. dosing control (for HKO-100Mini, HKO-180Vario, HKO-270Vario)	HKO250G	
	fertilizing equipment for pellets fertilizer HKO400G - container 400 l, w. 140 cm, incl. dosing control (for HKO-180Vario, HKO-270Vario)	HKO400G	
	fertilizing equipment for pellets fertilizer HKO600G - container 565 l, w. 200 cm, incl. dosing control (for HKO-270Vario)	HKO600G	
	fertilizing equipment for liquid fertilizer HKO500K - tank 500 l, pump 70 l/min, incl. dosing control (for HKO-180Vario, HKO-270Vario)	HKO500K	

accessories for HKO		order no.	
	disc tool rear (4 discs, d450, 1 pc) (for HKO-180Vario)	CS113.006000	
	tools carrier HKO-06M (for HKO-180Vario, with mechanical side shift 40 cm)	HKON06M	
	tools carrier HKO-06H (for HKO-180Vario, with hydraulic side shift 40 cm)	HKON06H	
	grape hoe, doublesided, for HKO-180Vario - for tools carrier HKO-06M/HKO-06H - working tools 00E610RRR + 00E610LRR - hydraulic control system 06.11 Attention! It is necessary separate free-flow outlet to connect the equipment.	HKO180E610	
	grape hoe, doublesided - for HKO-270Vario - working tools 00E610RRR + 00E610LRR - grape hoes holders 2 pcs - hydraulic control system 06.11 Attention! It is necessary separate free-flow outlet to connect the equipment.	HKO270E610	
	hydraulic unit HAN 20.20 for cultivator HKO - with oil cooler and return filter, oil reserve 20 l - oil flow 20 l/min / 540 rpm - pump PTO shaft 1 3/8" - 6	HAN2020HKO	
	knife foot (1 pc)	CS121.090140	
	moldboard for cultivation knife, h=14 cm (including fasteners and mounting on the knife)	right-sided	CS121.ODHRN14VR
		left-sided	CS121.ODHRN14VL