

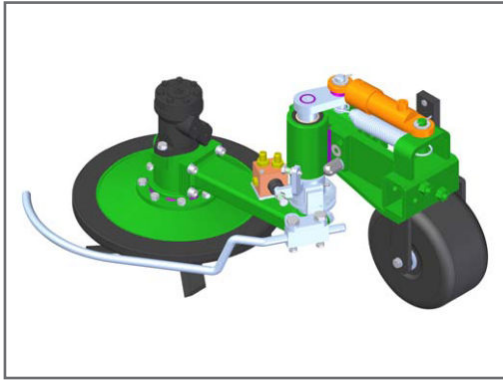
## Weed control equipment, working tools LPO-M

The multipurpose loosening tools for mechanical weed control in vineyards and orchards, with rotating knives, for shallow and deeper soil preparation, working width 40 or 50 cm. Including hydraulic hoses and quick couplings, hoses length up to 150 cm for side/rear suspension, up to 250 cm for front suspension.

Model	LPO-400M	LPO-500M
Working width [cm]	40	50
Lenght [cm]	84	90
Width [cm]	45	55
Height [cm]	62	
Version	right-sided / left-sided	
<b>Rotor revolutions</b>		
minimal [rpm]	240	190
maximal [rpm]	280	230
Oil consumption [l/min]	min 30 - max 35	
Tractor power [kW]	min 10	
Working speed [km/h]	3 - 6	
<b>Weight</b>		
without accessories [kg]	55	58
with soil removing board [kg]	86	89

\* Listed technical data are informative, manufacturer reserves the right to change design and equipment of the machines without prior notice. The machine can be also modified according to the customer's request.

\*\* The working speed may vary depending on the specific working conditions.



## Weed control equipment, working tools LPO-H

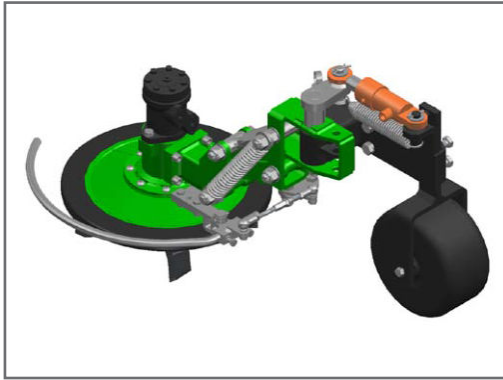
The multipurpose loosening tools for mechanical weed control in vineyards and orchards, with rotating knives, for shallow and deeper soil preparation, working width 30 or 40 cm. Including hydraulic hoses and quick couplings, hoses length up to 150 cm for side/rear suspension, up to 250 cm for front suspension.

*Attention! It is necessary separate free-flow outlet to connect the equipment.*

Model	LPO-300H	LPO-400H
Working width [cm]	30	40
Lenght [cm]	91	95
Width [cm]	46	55
Height [cm]	58	
Version	right-sided / left-sided	
<b>Rotor revolutions</b>		
minimal [rpm]	320	240
maximal [rpm]	360	280
Oil consumption [l/min]	min 40 - max 45	
Tractor power [kW]	min 10	
Working speed [km/h]	3 - 6	
<b>Weight</b>		
without accessories [kg]	66	69
with soil removing board [kg]	96	99

\* Listed technical data are informative, manufacturer reserves the right to change design and equipment of the machines without prior notice. The machine can be also modified according to the customer's request.

\*\* The working speed may vary depending on the specific working conditions.



## Weed control equipment, working tools LPO-HP

The multipurpose loosening tools for mechanical weed control in vineyards and orchards, with rotating knives, for shallow and deeper soil preparation, working width 30, 40 or 50 cm. Including hydraulic hoses and quick couplings, hoses length up to 150 cm for side/rear suspension, up to 250 cm for front suspension.

*Attention! It is necessary separate free-flow outlet to connect the equipment.*

Model	LPO-300HP	LPO-400HP	LPO-500HP
Working width [cm]	30	40	50
Lenght [cm]	93	97	100
Width [cm]	47	52	62
Height [cm]	62		
Version	right-sided / left-sided		
<b>Rotor revolutions</b>			
minimal [rpm]	320	240	190
maximal [rpm]	360	280	230
Oil consumption [l/min]	min 40 - max 45		
Tractor power [kW]	min 10		
Working speed [km/h]	3 - 6		
<b>Weight</b>			
without accessories [kg]	52	71	73
with soil removing board [kg]	97	100	103

\* Listed technical data are informative, manufacturer reserves the right to change design and equipment of the machines without prior notice. The machine can be also modified according to the customer's request.

\*\* The working speed may vary depending on the specific working conditions.