


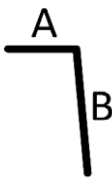
Pruning machines SL4-PNP

Pruning machines for tractor loaders or telescopic handlers with pruning bars PNP. Modified suspension SL4 with fork for mounting the pruning bars PNP. Including hydraulic hoses and quick couplings, hoses length up to 150 cm.

It is necessary to specify the exact type of carrier or the connection dimensions, when ordering.

| Model | SL4-PNP | |
|------------------------------------|-------------|-----|
| Version | right-sided | |
| Side shift range [cm] | 60 | 100 |
| Tilting range [°] | - 5 / +15 | |
| Width of frame [cm] | 90 | |
| Length [cm] | 29 | |
| Width [cm] | 141 | 202 |
| Height [cm] | 99 | |
| Aggregation with carrier | front | |
| Oil consumption [l/min] | 10 | |
| Electro-hydraulic control | on request | |
| Electrohydraulic switch cable reel | on request | |
| Oil leakage hose reel | on request | |
| Weight [kg] | | |
| with simple fork | 203 | 217 |
| with doubled fork | 209 | 223 |
| with connecting part | 251 | 265 |

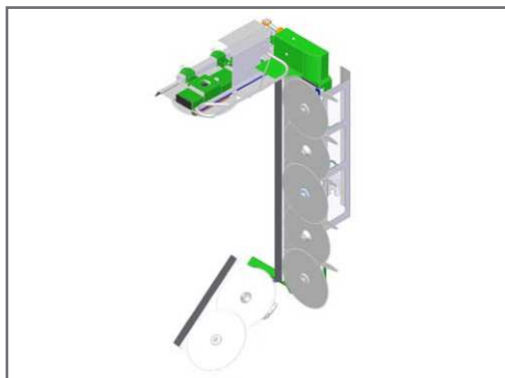
* Listed technical data are informative, manufacturer reserves the right to change design and equipment of the machines without prior notice. The machine can be also modified according to the customer's request.

| Pruning bar | PNP-xxx | | | | |
|-------------------------|---|-----|-----|---|-----|
| | 030 | 040 | 050 | 240 | 250 |
| Model |  | | |  | |
| Working width of | | | | | |
| (A) upper bar [cm] | - | | | 70 | |
| (B) vertical bar [cm] | 101 | 132 | 164 | 164 | |
| Lenght [cm] | 47 | | | | |
| Width [cm] | 29 | | | 90 | |
| Height [cm] | 101 | 132 | 164 | 161 | 192 |
| Circular saws [mm] | ø 400/80 teeth | | | | |
| Version | right-sided / left-sided | | | | |
| Oil consumption [l/min] | 32 | | | | |
| Tractor power [kW] | min 10 | | | | |
| Working speed [km/h] | 2 - 4 | | | | |
| Weight [kg] | 41 | 52 | 64 | 83 | 95 |

* Listed technical data are informative, manufacturer reserves the right to change design and equipment of the machines without prior notice. The machine can be also modified according to the customer's request.

** Another version and combination on a request.

*** The working speed may vary depending on the specific working conditions.



Pruning bars PNP

Special light pruning machines, intended especially for pruning of hedges or thinner branches up to 5 cm in orchards, saw blades d400 mm, 80 teeth, can be aggregated with US or STS posts, hoses length up to 250 cm.

It is necessary separate free-flow outlet to connect the equipment.

| Model | PNP-xxx | | | | | | | | | | |
|---|--------------------------|-----|-----|------|-----|-----|-----|-----|-----|-----|-----|
| | 240 | 250 | 350 | 252 | 253 | 254 | 255 | 352 | 353 | 354 | 355 |
| | | | | | | | | | | | |
| Working width of | | | | | | | | | | | |
| (A) upper bar [cm] | 70 | | 101 | 70 | | | | 101 | | | |
| (B) vertical bar [cm] | 132 | 164 | | | | | | | | | |
| (C) lower bar [cm] | - | | | 70 | 101 | 132 | 164 | 70 | 101 | 132 | 164 |
| Lenght [cm] | 47 | | | | | | | | | | |
| Width [cm] | 90 | | 121 | 90 | | | | 121 | | | |
| Height [cm] | 161 | 192 | | 262 | 293 | 324 | 356 | 262 | 293 | 324 | 356 |
| Circular saws [mm] | ø 400/80 teeth | | | | | | | | | | |
| Version | right-sided / left-sided | | | | | | | | | | |
| Oil consumption [l/min] | 32 | | | | | | | | | | |
| Tractor power [kW] | min 10 | | | | | | | | | | |
| Working speed [km/h] | 2 - 4 | | | | | | | | | | |
| Weight | | | | | | | | | | | |
| with mechanical tilting of pruning bars [kg] | 83 | 95 | 105 | 126 | 136 | 147 | 159 | 136 | 146 | 157 | 169 |
| with hydraulic tilting of pruning bars [kg] | + 9 | | | + 18 | | | | | | | |
| with automatic movement of pruning bar [kg] | + 32 | | | | | | | - | | | |

* Listed technical data are informative, manufacturer reserves the right to change design and equipment of the machines without prior notice. The machine can be also modified according to the customer's request.

** Another version and combination on a request.

*** The working speed may vary depending on the specific working conditions.